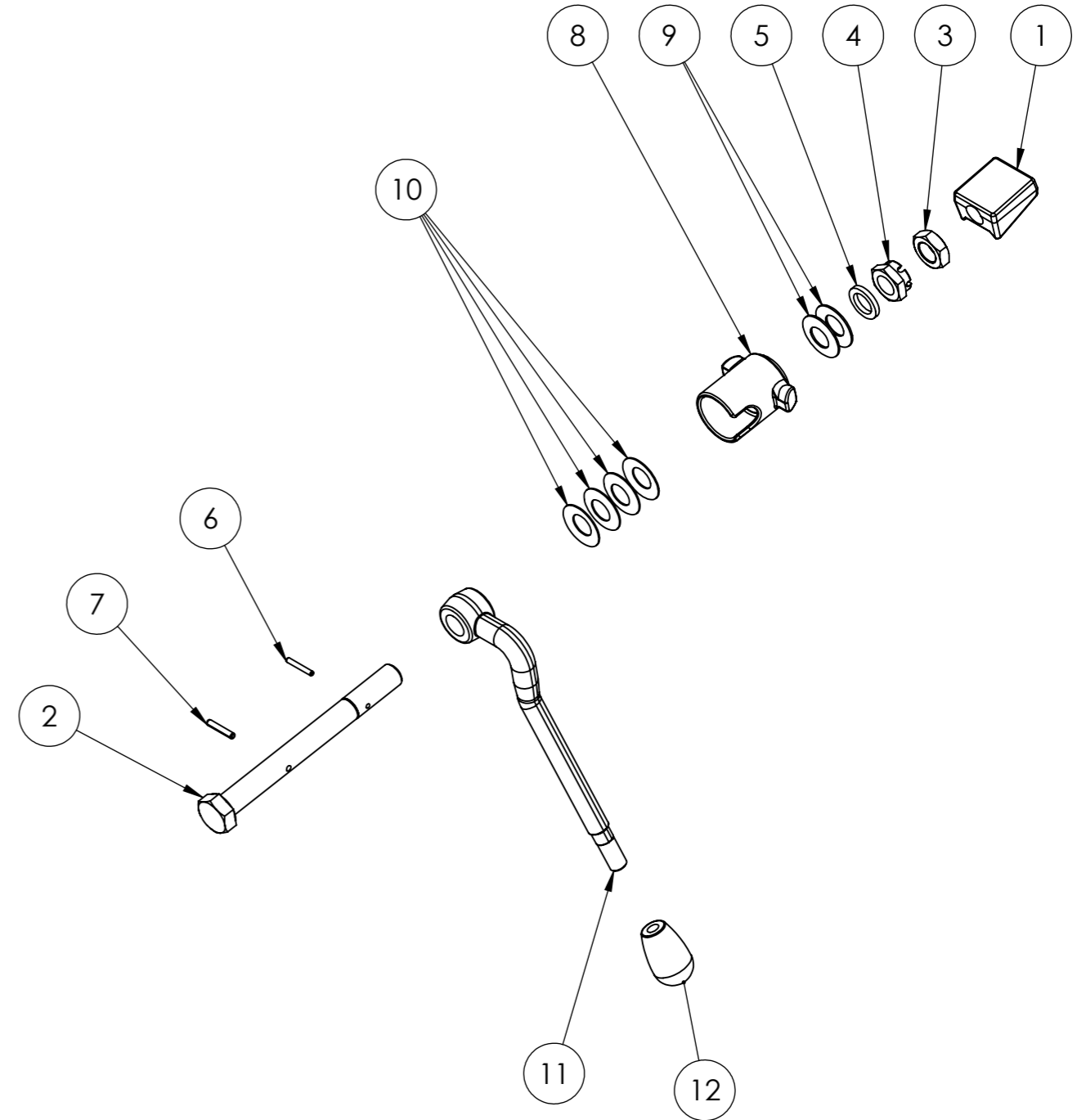
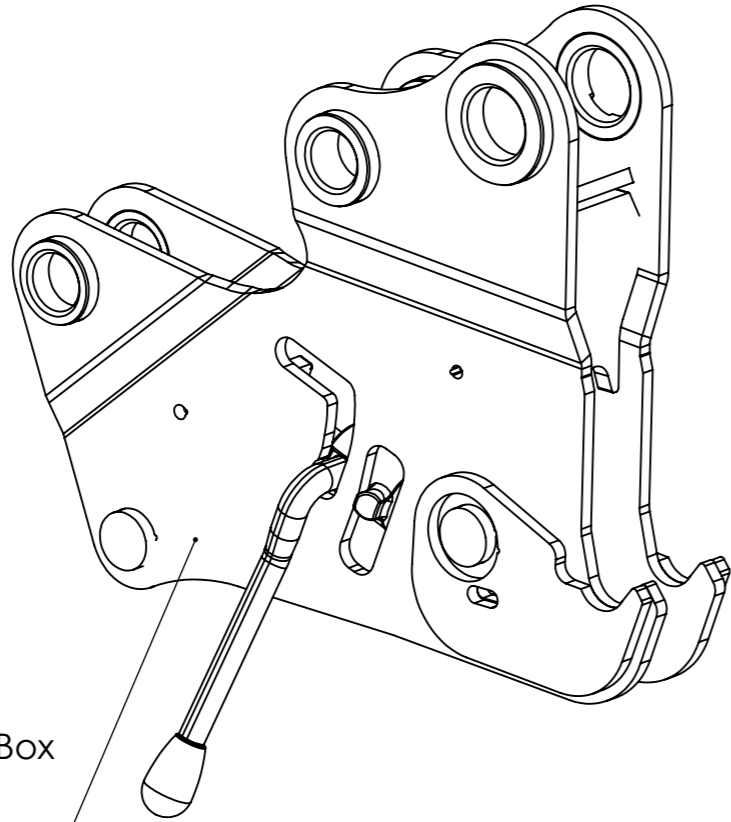


FZ60.1-80.1 Bearing Box  
Complete LH  
3656380



ITEM NO.	PART NUMBER	DESCRIPTION	Locking mech/QTY.
1	15° M20x1.5	3579800	1
2	58.712-03-10-00.2 ew4c	3579810	1
3	Hexagon Nut ISO - 8675 - M20 x 1.5 - C 8 ZN	0449060	1
4	KROMU M20x1,5 - ZN	0477290	1
5	Washer ISO 8738 - 20	0201400	1
6	Spring Pin ISO 8752 - 4 x 28 - St	0405610	1
7	Spring Pin ISO 8752 - 5 x 28 - St	0013090	1
8	Ø20 neu	3589400	1
9	Tellerfeder DIN 2093 B40	0018230	2
10	Tellerfeder DIN 2093 C40	1435040	4
11	58.712-03-10-00.3	3649820	1
12	GN 719.2-34-M10-SW	1435030	1

UNLESS OTHERWISE SPECIFIED: DIMENSIONS ARE IN MILLIMETERS SURFACE FINISH: TOLERANCES: LINEAR: ANGULAR:		FINISH:	DEBURR AND BREAK SHARP EDGES	DO NOT SCALE DRAWING	REVISION
NAME	SIGNATURE	DATE		TITLE: <b>FZ60.1-80.1 Bearing Box Complete LH</b>	
DRAWN				DWG NO. <b>3656380</b>	A3
CHK'D				SCALE:1:5	SHEET 1 OF 1
APPV'D					
MFG			MATERIAL:		
Q.A			WEIGHT:		